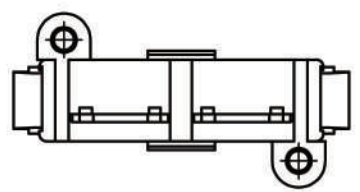
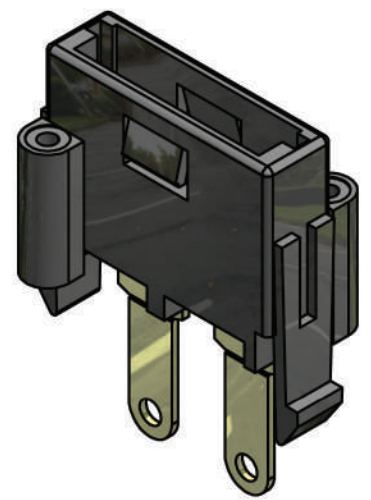
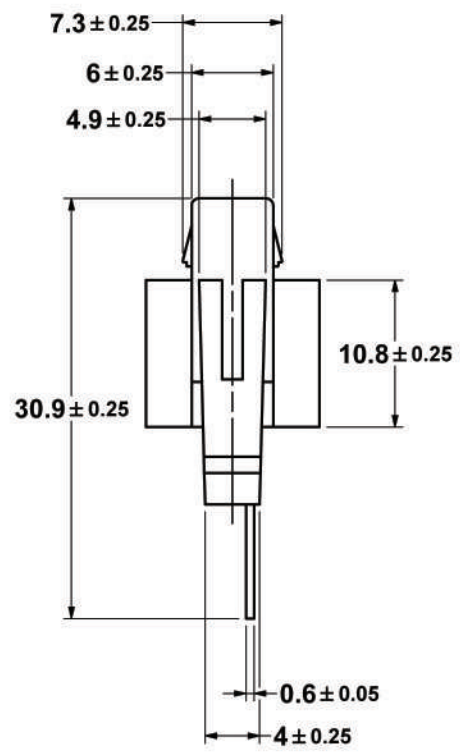
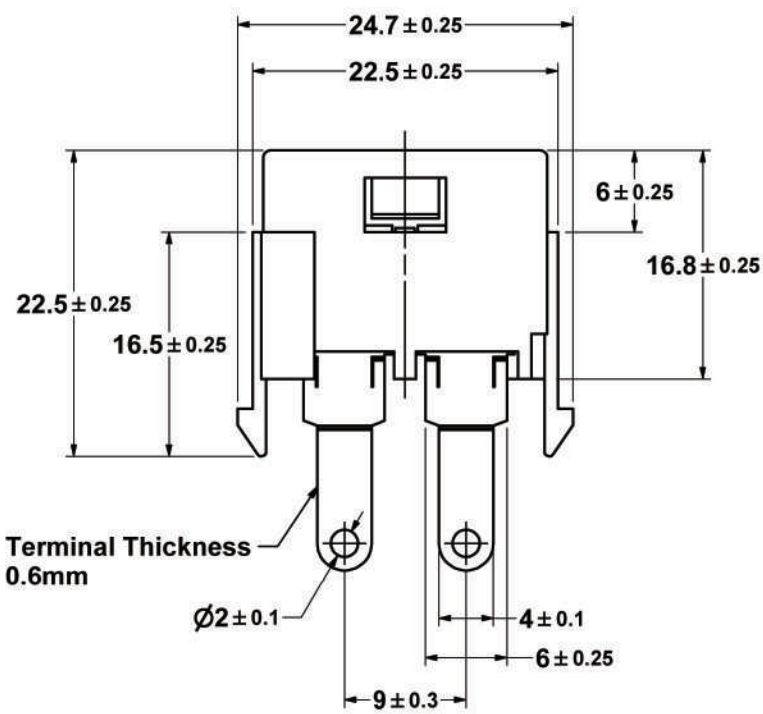
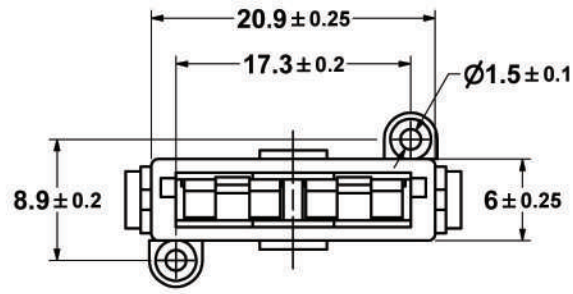




PANEL-MOUNT FUSEHOLDE FOR ATC FUSES

SPECIFICATIONS:

Electrical:Rated for currents up to 30A
 Insulating Body:Nylon with Glass Fiber
 Contacts:Bronze tin plated



UNLESS OTHERWISE SPECIFIED DIMENSIONS ARE IN MM TOLERANCE DECIMALS ANGULAR X± 0.5 ± 2° XX± 0.25 DO NOT SCALE DRAWING		CUSTOMER NO.	DONGGUAN TIANRUI ELECTRONIC CO., LTD.
		DRAWN BY	TITLE
 		CHECKED BY	BLADE FUSE PANEL MOUNT FUSEHOLDER
		APPROVED BY	PART NO. SL-703FA
P/N	C520200006N	DATE	2007/12/24
REV	A	SCALE	DRAWING NO. BA05050501